

MDM25

Hand-Held Hygrometer



The MDM25 is a portable, battery-operated handmeter, and is available with a number of different probe configurations. It displays relative humidity, temperature and one calculated value, making this handmeter suitable for a wide range of applications. The user can choose to display either °C or °F.

Highlights

- Displays %RH and temperature, plus dew point, absolute humidity and wet bulb temperature
- Simple to operate
- Long term stability: $\pm 1\%$ RH over 12 months

Technical Specifications: Hand Meter

Performance	
Measurement units	%RH, °C/°F Ta, °C/°F Td, g/m ³ , °C/°F Tw
Mechanical specification	
Ingress protection	IP54 - Hand meter only
Handmeter housing material	Molded polymer housing ABS + rubber surround
Weight	300g (10.58oz)
Display resolution	Graphic LCD 128 x 64 pixels
Electrical output/input	
Supply voltage	4.5 V (3 x AA batteries - provide approximately 70 hours of operation)
Electrical connections	M9 5-way triad connector

Probes

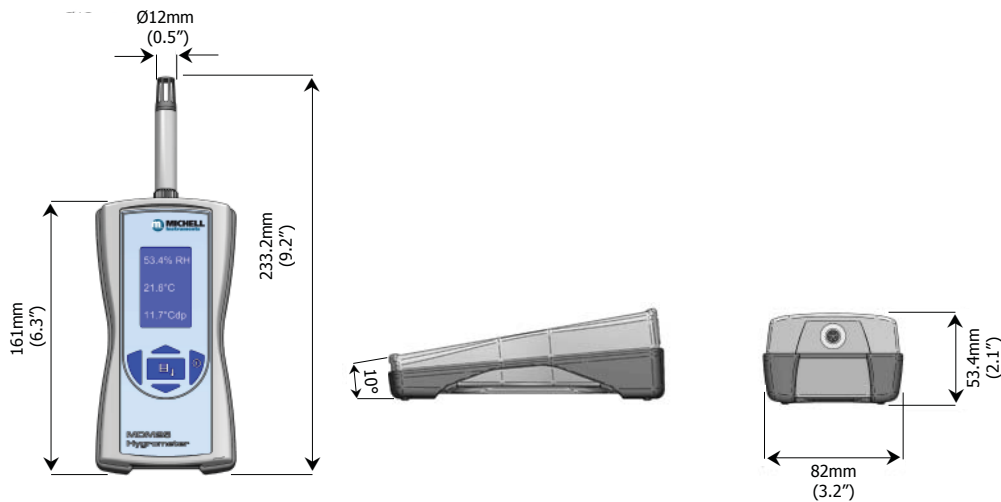
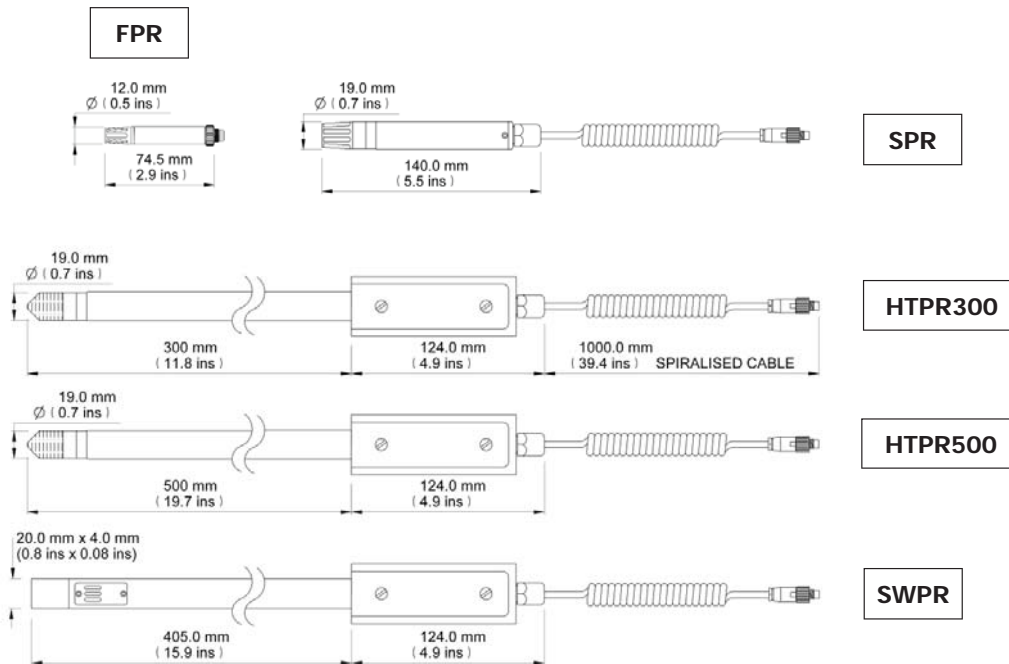
Performance	
Measurement range (RH)	0 - 100% RH
Accuracy at 25°C (77°F) Temperature	< $\pm 0.2^{\circ}\text{C}$ ($\pm 0.36^{\circ}\text{F}$)
Stability - RH Sensor	$\pm 1\%$ RH/year
Response time - RH Sensor	<10 sec typical (for 90% of the step change)
Measurement & operating range (T)	
Fixed and Standard probe	-20 to +80°C (-4 to +176°F)
Sword probe	-20 to +100°C (-4 to +212°F)
Remote probe	-20 to +150°C (-4 to +302°F)
Accuracy at 25°C (77°F) Humidity	<ul style="list-style-type: none"> - Fixed probe $\pm 2\%$ RH (10 - 90% RH) - Remote probes $\pm 2\%$ RH (5 - 95% RH)
Mechanical specification	
Weight:	
Fixed Probe	FPR 30g (1.06 oz)
Standard Probe	SPR 90g (3.17 oz)
Sword Probe	SWPR 500g (1.1 lb)
Round 300mm probe	HTPR300 380g (13.4 oz)
Round 500mm probe	HTPR500 620g (1.37 lb)

Accessories and Spare Parts

19mm (0.75") slotted protection cap black	A000002
12mm (0.47") Slotted protection cap, black	A000003
19mm (0.75") PVDF filter	A000014
12mm (0.47") PVDF filter	A000017
12mm (0.47") PVDF filter with protection cap, black	A000018
19mm (0.75") mesh filter with protection cap, black	A000021
12mm (0.47") Mesh filter with protection cap, black	A000022
12mm (0.47") Flat SS sintered dust filter	A000023
19mm (0.75") Arrow SS sintered filter 10µm	A000026
12mm (0.47") Arrow 20 µm SS sintered filter	A000028

Rubber surround for hand meter case	A000400
Carrying case	A000401
Batteries (3 AA Alkaline cells)	A000402
Fixed probe	MDM-FPR
Standard probe	MDM-SPR
Sword type probe	MDM-SWPR
Remote high temperature probe 300mm (18")	MDM-HTPR
Remote high temperature probe, 500mm (19.6")	MDM-HTPR
You can check your hygrometer with the Control Kit HKC which is based on the principle of non-saturated salt solutions. Refer to technical data sheet CONTROL KIT	HKC

Dimensions



Ordering Codes

To construct the order code, select the relevant feature from the tables below, starting with the base model, which is {Feature A} and then add on options to create a string: {Feature A}+{Feature B}

Order example: MDM25+SPR

Relative humidity and temperature handheld device with fixed probe (comes standard with 3 AA Alkaline batteries)

